

SALUS

Relay module SALUS Controls RM-16A



mounting in
a box Ø60



mounting only
inside buildings

Relay module RM-16A opens and closes the circuit in order to affect the work of other devices. Some uses of the module RM-16A with other Salus products are shown below:

1. Connection of the thermostat with the high voltage relay 230V (e.g. VS30/RT200/ERT20/ERT30/ERT50/VS10) with a gas boiler which requires free-voltage output NO/COM or NC/COM
2. Connection of the SALUS temperature regulator with the NO/COM relay (e.g. 091FL) with the boiler control which requires NC/COM output (NC/COM output is normally required in the solid fuel boiler controls)
3. Connection of the receiver transmitting power higher than it is allowed by the relay in a regulator. The maximum electricity consumption of the receiver cannot exceed 16A
4. Connection of the devices other than electro thermal actuators with the wiring centre (KL06-M/ KL08NSB /KL08RF/KL10/KL10RF) e.g. if you want to connect a pump or an electric heating mat instead of a electro thermal actuator.

SALUS distributor:

OL Controls Sp. z o.o. Sp. k.
43-262 Kobielice, 4 Rolna St.
tel: +48 32 700 74 53,

e-mail: salus@salus-controls.pl, www.salus-controls.eu

SALUS



Symbol meaning selecting electric electronic gear. Putting used gear with other waste products is strictly forbidden. The declaration of compliance is on www.salus-controls.pl site



Made in Poland

Relay module SALUS Controls
Product code: RM-16A



5 903669 088295

The declaration of compliance is on www.salus-controls.pl site

Made in Poland

SALUS

Relay module

RM-16A

www.salus-controls.eu

SAFETY INFORMATION

Before connecting the relay module with a different device make sure that its parameters are consistent with the RM-16A module specification. Incorrect connection may cause undesirable action, excessive overheating and combustion hazard. To avert the hazard make sure that the relay module RM-16A is correctly connected. The connection of the device can be done only by a qualified installer who has up-to-date eligibility.

INTRODUCTION

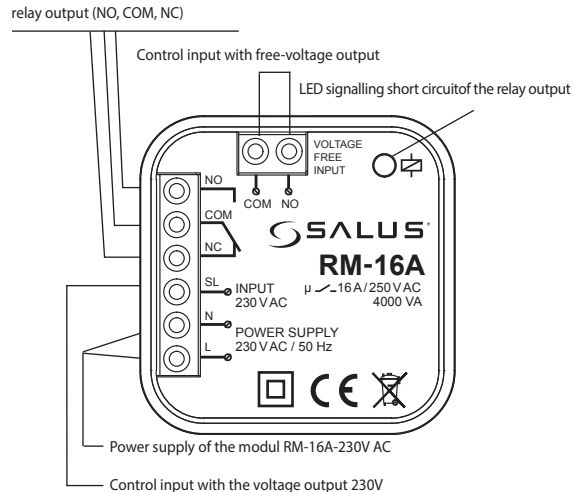
Relay module RM-16A opens and closes the circuit in order to affect the work of other devices. Some uses of the module RM-16A with other Salus products are shown below:

1. Connection of the thermostat with the voltage relay 230V (e.g. VS30/RT200/ERT20/ERT30/ERT50/VS10) with a gas-fired boiler which requires free-voltage output NO/COM or NC/COM
2. Connection of the SALUS thermostat with the NO/COM relay (e.g. 091FL) with the boiler control which needs NC/COM output (NC/COM output is normally required in the solid fuel boiler controls)
3. Connection of the receiver transmitting power higher than it is allowed by the relay in a regulator. The maximum electricity consumption of the receiver cannot exceed 16A
4. Connection of the devices other than electro thermal actuators with the wiring centre (KL06-M/KL08NSB /KL08RF/KL10/KL10RF) e.g. if you want to connect a pump or an electric heating mat instead of a electro thermal actuator.

PRODUCT SPECIFICATION

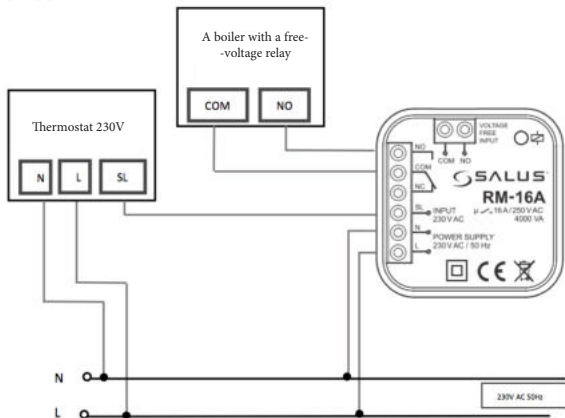
Power:	16A / 250V AC, 4000VA
INPUT NO/COM:	Connection of a regulator with the free voltage relay NO/COM
OUTPUT NC/COM/NO:	Output receiver
INPUT SL:	Connection of the regulator with the voltage relay 230V
POWER SUPPLY N/L:	Power of 230V AC/50Hz
Measurements:	47x47x21

VISUAL ASPECT



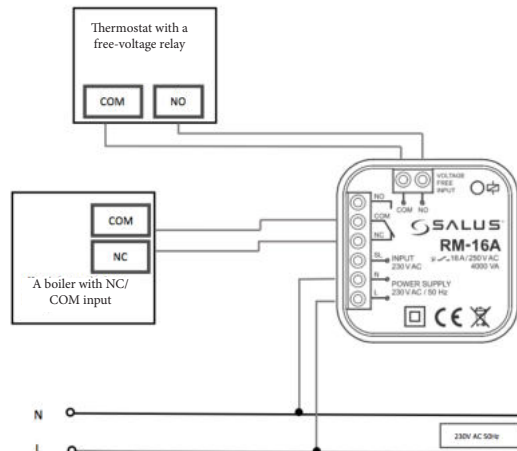
CONNECTION DIAGRAMS

1. Connection of the thermostat with a voltage relay 230V (e.g. VS30/RT200/ERT20/ERT30/ERT50/VS10) to a gas boiler which requires free-voltage output NO/COM.



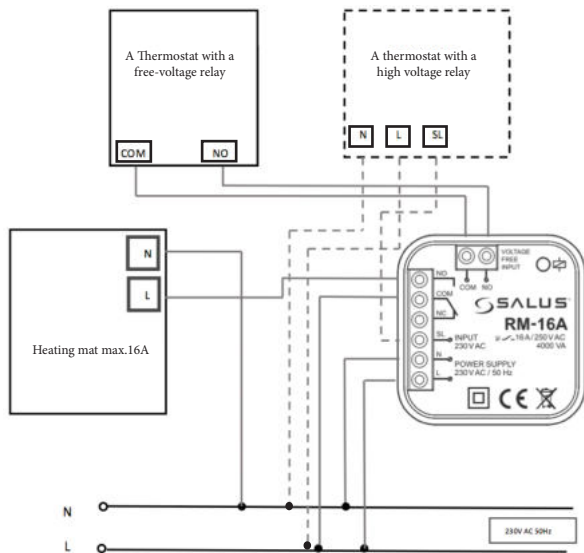
CONNECTION DIAGRAMS

2. Connection of the SALUS temperature regulator with NO/COM relay (e.g. 091FL) with a boiler control which requires NC/COM output (NC/COM output is normally required in solid fuel boilers controls).



CONNECTION DIAGRAMS

3. Connection of the receiver transmitting power higher than it is allowed by the relay in a regulator. The maximum electricity consumption of the receiver cannot exceed 16A



CONNECTION DIAGRAMS

4. Connection of the devices other than electro thermal actuators with the wiring centre (KL06-M / KL08NSB / KL08RF / KL10 / KL10RF) e.g. if you want to connect a pump or an electric heating mat instead of an electro thermal actuator.

